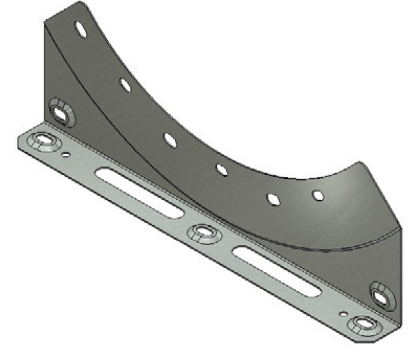


IP03 Mounting Foot

IP03 - LFOOT

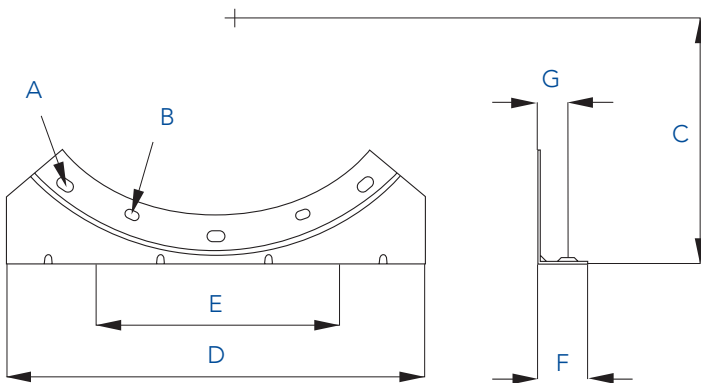
Limpet Fan Support Feet are a unique product that has been designed to speed installation times with dual arcuated slots. Integral radial and fold stiffening ribs add greatly to the strength. The one piece seamless construction is hot dip galvanised to provide longevity internally or externally. The part codes are for pairs.

- Fits directly to ISO diameter axial fans
- Unique radial stiffening ribs
- Two standard fixing patterns included in one product (A & B)
- Unique fold stiffening
- Hot dip galvanised material for improved longevity
- Arcuate slots for faster installation



Dimensional Data

Code (Pair)	A	B	C (mm)	D (mm)	E (mm)	F (mm)	G (mm)	Mass (kg)
IP03 - LFOOT - 0250	8 x M6-286 PCD	6 x M6-286 PCD	165	250	200	40	23	0.8
IP03 - LFOOT - 0315	8 x M8-355 PCD	-	200	315	265	40	23	1.0
IP03 - LFOOT - 0355	8 x M8-395 PCD	-	225	355	305	40	23	1.1
IP03 - LFOOT - 0400	8 x M8-450 PCD	12 x M8 - 438 PCD	250	400	350	50	27.5	1.4
IP03 - LFOOT - 0450	8 x M10-500 PCD	12 x M8-487 PCD	280	450	400	50	27.5	1.6
IP03 - LFOOT - 0500	12 x M10-560 PCD	12 x M8-541 PCD	315	500	450	50	27.5	1.8
IP03 - LFOOT - 0560	12 x M10-620 PCD	16 x M10-605 PCD	355	560	510	60	32	2.4
IP03 - LFOOT - 0630	12 x M10-690 PCD	16 x M10-674 PCD	400	630	580	60	32	2.7
IP03 - LFOOT - 0710	16 x M10-770 PCD	16 x M10-751 PCD	450	710	660	60	32	4.0
IP03 - LFOOT - 0800	16 x M10-860 PCD	24 x M10-837 PCD	500	800	750	60	32	4.5
IP03 - LFOOT - 0900	16 x M12-970 PCD	24 x M10-934 PCD	560	900	850	70	36	7.4
IP03 - LFOOT - 1000	16 x M12-1070 PCD	24 x M10-1043 PCD	630	1000	950	70	36	8.2



Material & Finish

Limpet Feet are manufactured from one piece of mill finish hot dip galvanised mild steel conforming to EN10327 (BS2989) including the integral flow formed spigot connection section.

Pressure Up to 1500 Pascals positive and negative.

Temperature -12° to +100°C.

Location Internally & externally mountable.

Painting (Optional)

The standard EN10327 (BS2989) galvanised mild steel material can be oversprayed with polyester powder coating.

Alternative Specification

The above specification refers to our standard, stock range. We can also supply custom materials such as 304 and 316 grade stainless steels, cold reduced (CR4) mild steel and aluminium.

Example IP03 - LFOOT - 0315. **IP03** Product group code.

LFOOT Product short description. **0315** Internal diameter.

Fixing Detail

Set screws, washers and full nuts are recommended. Slots are arcuate. The dimensions above are centre path lengths.

Bolt Size	Slot Provision (mm)	Torque (nm)
M6	14 x 9	10
M8	17 x 11	20
M10	19 x 13	35
M12	22 x 15	50

Installation

For recommendations for the support of the fan the principles of Part Six (pages 43-46) of the HVCA DW144 standard should be followed. Always use the correct size bolts as specified in the dimensional data table above. The arcuate holes are sized to allow the metric thread sizes to be utilised, for example, for an M10 fixing, the slot is made 19mm long by 13mm wide. The dual pattern pitch circle diameters and slot sizes are produced using CNC equipment with a repeatability of 0.1mm and are therefore guaranteed to be correct. If a problem is encountered during installation please check the fan case PCD and hole sizes - do not attempt to force the holes into position. Please contact us to confirm the suitability of any fan manufacturers product.

Equipment	Location
Centrifugal Fans	Direct couple only at the same size, a gasket is recommended.
Axial Fans	Direct couple only at the same size, a gasket is recommended.
Mixed Flow Fans	Direct couple only at the same size, a gasket is recommended.

Cleaning & Maintenance

Should the product require routine cleaning we recommend low-pressure air blasting, vacuuming or wiping the exposed surfaces with a damp cloth. It is not unusual for "White Zinc Oxide" to develop on galvanised silencers when the zinc in the galvanising reacts electrolytically with moisture. Limpet Feet are of a passive nature and as such require no routine maintenance or lubrication.